

PRODUCT CATALOG

**Personal protective equipment
OF RUSSIAN MANUFACTURE**

2020



035 VISION® protective spectacles

Price 035 VISION® PC

\$ 0,66

€ 0,60

Price 035 VISION® PC super
Anti-fog

\$ 1,32

€ 1,20



Material	Lens marking	Color	Mass
PC	2C-1,2 RZ 1 FT	○ ● ● ●	42 g
PC super	2C-1,2 RZ 1 FT N	○ ● ● ●	42 g

Lens marking:

2C-1,2	UV filter
RZ	Manufacturer identification
1	Optical class one
FT	Symbol of mechanical strength (high speed particles low energy impact - 45 m/s) at extremes of temperature (-5°C + 55°C)
N	Symbol of resistance to fogging

Certified:



Quality management system is approved for conformity with ISO 9001:2015. The Certificate issued by TÜV SÜD № 12 100 35601 TMS, Germany



Retail packing

Polyethylene pack

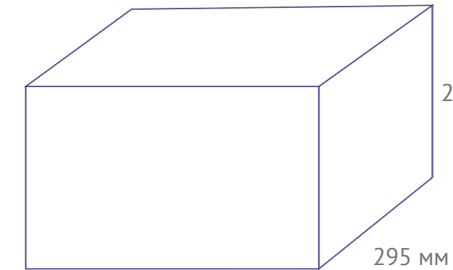
210 mm



111 mm

1 unit

Carton box



248 mm

295 mm

330 mm



gross

2,38

net

1,68

Quantity per box 40 units

Order Option

Min. amount

5 000

100 % prepayment

Shipment

Order to be placed
30 days before
shipping

Contacts

Name

Olga Fedorova

E-mail

p01398@rosomz.ru

Telephone

+79124860906



O15 HAMMER ACTIVE protective spectacles

Price O15 HAMMER ACTIVE PC \$ 0,61 € 0,55

Price O15 HAMMER ACTIVE PC super Anti-fog \$ 1,25 € 1,14

Price O15 HAMMER ACTIVE PC super with soft nose pad Anti-fog \$ 1,47 € 1,34



Material	Lens marking	Color	Mass
PC	2C-1,2 RZ 1 FT	○ ● ● ●	41 g
PC super	2C-1,2 RZ 1 FT N	○ ● ● ●	41 g

Lens marking:

2C-1,2	UV filter
RZ	Manufacturer identification
1	Optical class one
FT	Symbol of mechanical strength (high speed particles low energy impact - 45 m/s) at extremes of temperature (-5°C + 55°C)
N	Symbol of resistance to fogging

Certified:



Quality management system is approved for conformity with ISO 9001:2015. The Certificate issued by TÜV SÜD № 12 100 35601 TMS, Germany



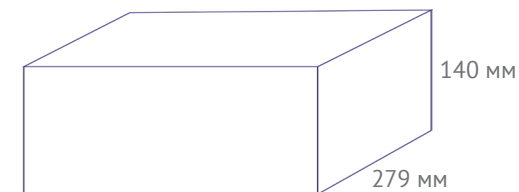
Retail packing

Polyethylene pack



111 mm
1 unit

Carton box



gross	net
1,93	1,23

Quantity per box 30 units

Order Option

Min. amount
5 000
100 % prepayment

Shipment

Order to be placed
30 days before
shipping

Contacts

Name Olga Fedorova
E-mail p01398@rosomz.ru
Telephone +79124860906



O88 SURGUT protective spectacles

Price O88 SURGUT PC \$ 0,61 € 0,55

Price O88 SURGUT PC super Anti-fog \$ 1,25 € 1,14


Price O88 SURGUT PC super with soft nose pad Anti-fog \$ 1,47 € 1,34




Material	Lens marking	Color	Mass
PC	2C-1,2 RZ 1 FT	○ ● ● ●	41 g
PC super	2C-1,2 RZ 1 FT N	○ ● ● ●	41 g

Lens marking:	
2C-1,2	UV filter
RZ	Manufacturer identification
1	Optical class one
FT	Symbol of mechanical strength (high speed particles low energy impact - 45 m/s) at extremes of temperature (-5°C + 55°C)
N	Symbol of resistance to fogging

Certified:



Quality management system is approved for conformity with ISO 9001:2015. The Certificate issued by TÜV SÜD № 12 100 35601 TMS, Germany



Retail packing

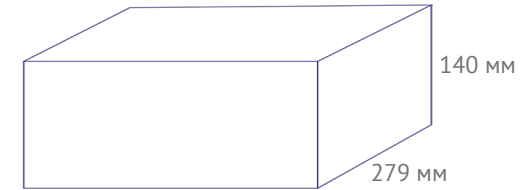
Polyethylene pack



210 мм

111 мм
1 unit

Carton box



	gross	net
	1,36	0,66

Quantity per box 30 units

Order Option

Min. amount
5 000
100 % prepayment

Shipment

Order to be placed
30 days before
shipping

Contacts

Name Olga Fedorova
E-mail p01398@rosomz.ru
Telephone +79124860906



ZN55 SPARK protective goggles

Price ZN55 SPARK PC \$ 1,60 € 1,45

Price ZN55 SPARK PC super Anti-fog \$ 2,20 € 2,00

Price ZN55 SPARK PC StrongGlass™ Anti-scratch and Anti-fog \$ 3,63 € 3,30
\$ 4,84 € 4,40



Material	Lens and frame marking	Color	Mass
PC	2C-1,2 RZ 1 BT	○ ● ● ● ●	88 g
PC super	2C-1,2 RZ 1 BT N	○ ● ● ● ●	88 g
PC StrongGlass™	2C-1,2 RZ 1 BT K N	○ ● ● ● ●	88 g

Lens marking:

2C-1,2	UV filter
RZ	Manufacturer identification
1	Optical class one
BT	Symbol of resistance to high speed particles (medium energy impact - 5.9J V=120 m/s) at extremes of temperature (-5°C + 55°C)
K	Symbol of resistance to surface damage by fine particles
N	Symbol of resistance to fogging

Certified:



Quality management system is approved for conformity with ISO 9001:2015. The Certificate issued by TÜV SÜD № 12 100 35601 TMS, Germany



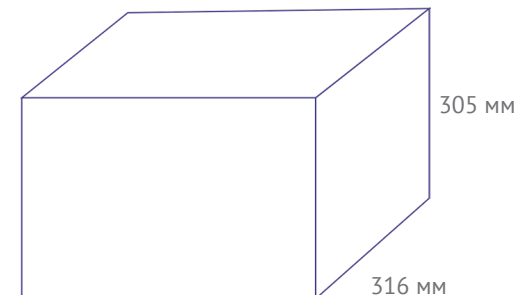
Retail packing

Polyethylene pack



166 mm
1 unit

Carton box



	gross	net
kgs	3,34	2,64

Quantity per box 30 units

Order Option

Min. amount
5 000
100 % prepayment

Shipment

Order to be placed
30 days before
shipping

Contacts

Name Olga Fedorova
E-mail p01398@rosomz.ru
Telephone +79124860906



ZN11 PANORAMA protective goggles

Price ZN11 PANORAMA PC

\$ 1,58

€ 1,44

Price ZN11 PANORAMA PC super
Anti-fog

\$ 2,32

€ 2,11



Material	Lens and frame marking	Color	Mass
PC	2C-1,2 RZ 1 BT	○ ● ● ●	88 g
PC super	2C-1,2 RZ 1 BT N	○ ● ● ● ●	88 g

Lens marking:

2C-1,2	UV filter
RZ	Manufacturer identification
1	Optical class one
BT	Symbol of resistance to high speed particles (medium energy impact - 5.9J V=120 m/s) at extremes of temperature (-5°C + 55°C)
N	Symbol of resistance to fogging

Certified:



Quality management system is approved for conformity with ISO 9001:2015. The Certificate issued by TÜV SÜD № 12 100 35601 TMS, Germany



Retail packing

Polyethylene pack

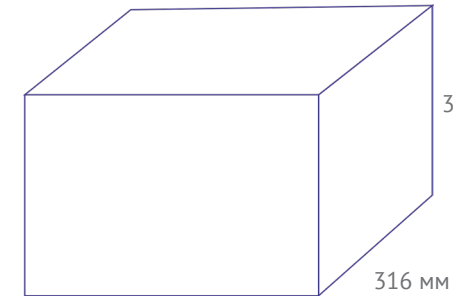


288 mm

166 mm

1 unit

Carton box



305 mm

316 mm

330 mm



gross

3,78

net

3,08

Quantity per box 35 units

Order Option

Min. amount

5 000

100 % prepayment

Shipment

Order to be placed
30 days before
shipping

Contacts

Name

Olga Fedorova

E-mail

p01398@rosomz.ru

Telephone

+79124860906



ZN11 PANORAMA protective goggles

Price ZN PANORAMA PC StrongGlass™
Anti-scratch and Anti-fog

\$ 4,98 € 4,53
\$ 3,69 € 3,35



Material	Lens and frame marking	Color	Mass
PC StrongGlass™	2C-1,2 RZ 1 BT K N	○ ●	98 g

Lens marking:

2C-1,2	UV filter
RZ	Manufacturer identification
1	Optical class one
BT	Symbol of resistance to high speed particles (medium energy impact - 5.9J V=120 m/s) at extremes of temperature (-5°C + 55°C)
3	Symbol of protection against droplets of liquids
K	Symbol of resistance to surface damage by fine particles
N	Symbol of resistance to fogging

Certified:



Quality management system is approved for conformity with ISO 9001:2015. The Certificate issued by TÜV SÜD № 12 100 35601 TMS, Germany



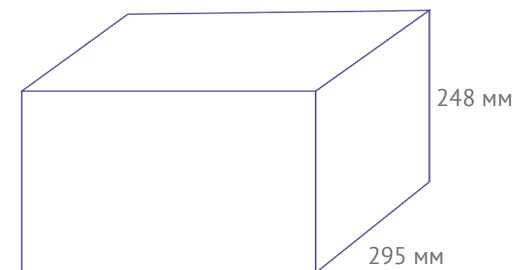
Retail packing

Polyethylene pack



166 mm
1 unit

Carton box



gross	net
1,876	1,176

Quantity per box 12 units

Order Option

Min. amount
5 000
100 % prepayment

Shipment

Order to be placed
30 days before
shipping

Contacts

Name Olga Fedorova
E-mail p01398@rosomz.ru
Telephone +79124860906



SOMZ-55 Favori® T Trek® safety helmet

Price SOMZ-55 Favori® T Trek® Standart \$ 0,92 € 0,84

Price SOMZ-55 Favori® T Trek® Zen® \$ 1,35 € 1,23

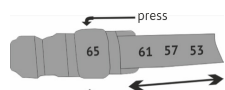
Price SOMZ-55 Favori® T Trek® Rapid \$ 1,89 € 1,72



Material	Headgear	Color	Mass
PP	Standart	○ ● ● ● ● ● ● ●	312 g
PP	Zen®	○ ● ● ● ● ● ● ●	352 g
PP	Rapid	○ ● ● ● ● ● ● ●	324 g

Headgear

STANDART headgear with stepped head size adjustment from 52 to 65 cm, step 4 mm.



RAPID – headgear with rack-and-pinion mechanism with smooth head size adjustment from 51 to 65 cm by means of the knob rotation.



ZEN® headgear with locking button and stepped head size adjustment from 53.5 to 64.5 cm, step 3 mm.



Certified:



Quality management system is approved for conformity with ISO 9001:2015. The Certificate issued by TÜV SÜD № 12 100 35601 TMS, Germany



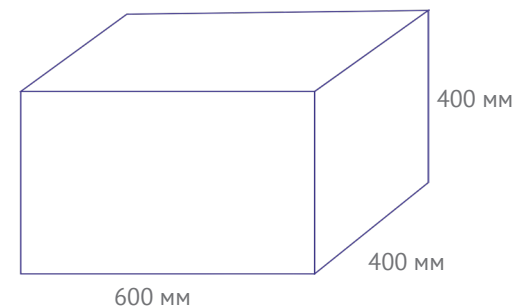
Retail packing

Polyethylene pack



1 unit

Carton box



kgs	gross	net
Standart	6,94	6,24
Zen®	7,74	7,04
Rapid	7,18	6,48

Quantity per box 20 units

Order Option

Min. amount
2 000
100 % prepayment

Shipment

Order to be placed
30 days before
shipping

Contacts

Name Olga Fedorova
E-mail p01398@rosomz.ru
Telephone +79124860906



SOMZ-55 Hammer Trek® safety helmet

Price SOMZ-55 Hammer Trek® Standart \$ 1,35 € 1,23

Price SOMZ-55 Hammer Trek® Zen® \$ 1,63 € 1,48

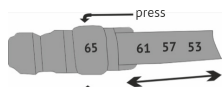
Price SOMZ-55 Hammer Trek® Rapid \$ 1,89 € 1,72



Material	Headgear	Color	Mass
PP	Standart	○ ● ● ● ● ● ● ●	334 g
PP	Zen®	○ ● ● ● ● ● ● ●	334 g
PP	Rapid	○ ● ● ● ● ● ● ●	334 g

Headgear

STANDART headgear with stepped head size adjustment from 52 to 65 cm, step 4 mm.



RAPID – headgear with rack-and-pinion mechanism with smooth head size adjustment from 51 to 65 cm by means of the knob rotation.



ZEN® headgear with locking button and stepped head size adjustment from 53.5 to 64.5 cm, step 3 mm.



Certified:



Quality management system is approved for conformity with ISO 9001:2015. The Certificate issued by TÜV SÜD № 12 100 35601 TMS, Germany



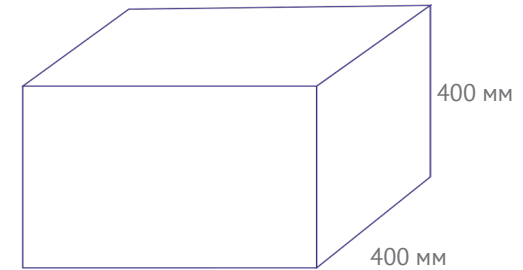
Retail packing

Polyethylene pack



1 unit

Carton box



gross	net
7,38	6,68

Quantity per box 20 units

Order Option

Min. amount
2 000
100 % prepayment

Shipment

Order to be placed
30 days before
shipping

Contacts

Name Olga Fedorova
E-mail p01398@rosomz.ru
Telephone +79124860906



SOMZ-55 Favori[®]T Termo safety helmet

Price SOMZ-55 Favori[®]T Termo Standart \$ 7,59 € 6,90

Price SOMZ-55 Favori[®]T Termo Zen[®] \$ 8,13 € 7,39

Price SOMZ-55 Favori[®]T Termo Rapid \$ 8,67 € 7,88

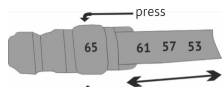


+150°C

Material	Headgear	Color	Mass
PA	Standart		382 g
PA	Zen [®]		382 g
PA	Rapid		382 g

Headgear

STANDART headgear with stepped head size adjustment from 52 to 65 cm, step 4 mm.



RAPID – headgear with rack-and-pinion mechanism with smooth head size adjustment from 51 to 65 cm by means of the knob rotation.



ZEN[®] headgear with locking button and stepped head size adjustment from 53.5 to 64.5 cm, step 3 mm.



Certified:



Quality managment system is approved for conformity with ISO 9001:2015. The Certificate issuede by TÜV SÜD № 12 100 35601 TMS, Germany



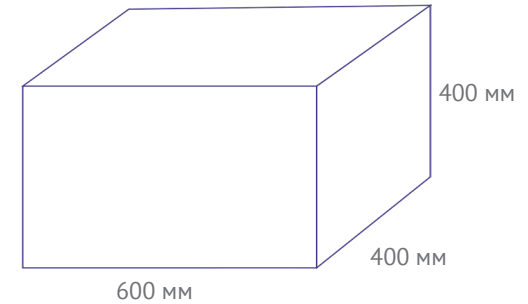
Retail packing

Polyethylene pack



1 unit

Carton box



gross

8,34

net

7,64

Quantity per box 20 units

Order Option

Min. amount

2 000

100 % prepayment

Shipment

Order to be placed
30 days before
shipping

Contacts

Name

Olga Fedorova

E-mail

p01398@rosomz.ru

Telephone

+79124860906



SOMZ-55 Hammer Termo safety helmet

Price SOMZ-55 Hammer Termo Standart \$ 12,31 € 11,19

Price SOMZ-55 Hammer Termo Zen® \$ 12,31 € 11,19

Price SOMZ-55 Hammer Termo Rapid \$ 13,00 € 11,82

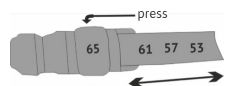
+150°C



Material	Headgear	Color	Mass
PA	Standart		378 g
PA	Zen®		378 g
PA	Rapid		378 g

Headgear

STANDART headgear with stepped head size adjustment from 52 to 65 cm, step 4 mm.



RAPID – headgear with rack-and-pinion mechanism with smooth head size adjustment from 51 to 65 cm by means of the knob rotation.



ZEN® headgear with locking button and stepped head size adjustment from 53.5 to 64.5 cm, step 3 mm.



Certified:



Quality management system is approved for conformity with ISO 9001:2015. The Certificate issued by TÜV SÜD № 12 100 35601 TMS, Germany



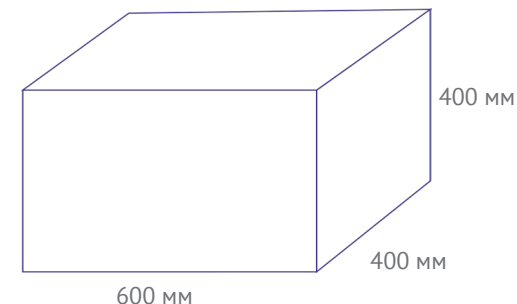
Retail packing

Polyethylene pack



1 unit

Carton box



	gross	net
kgs	8,34	7,64

Quantity per box 20 units

Order Option

Min. amount
2 000
100 % prepayment

Shipment

Order to be placed
30 days before
shipping

Contacts

Name Olga Fedorova
E-mail p01398@rosomz.ru
Telephone +79124860906



SOMZ-55 VISION® Termo safety helmet

Price SOMZ-55 VISION® Termo Standart \$ 7,59 € 6,90

Price SOMZ-55 VISION® Termo Zen® \$ 8,13 € 7,39

Price SOMZ-55 VISION® Termo Rapid \$ 8,67 € 7,88

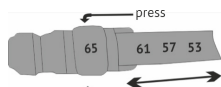
+150°C



Material	Headgear	Color	Mass
PA	Standart		378 g
PA	Zen®		383 g
PA	Rapid		390 g

Headgear

STANDART headgear with stepped head size adjustment from 52 to 65 cm, step 4 mm.



RAPID – headgear with rack-and-pinion mechanism with smooth head size adjustment from 51 to 65 cm by means of the knob rotation.



ZEN® headgear with locking button and stepped head size adjustment from 53.5 to 64.5 cm, step 3 mm.



Certified:



Quality management system is approved for conformity with ISO 9001:2015. The Certificate issued by TÜV SÜD № 12 100 35601 TMS, Germany



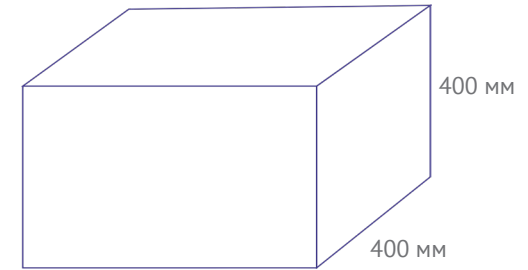
Retail packing

Polyethylene pack



1 unit

Carton box



	gross	net
Standart	8,26	7,56
Zen®	8,36	7,66
Rapid	8,50	7,80
Quantity per box	20 units	

Order Option

Min. amount

2 000

100 % prepayment

Shipment

Order to be placed
30 days before
shipping

Contacts

Name

Olga Fedorova

E-mail

p01398@rosomz.ru

Telephone

+79124860906



RFI-3 BIOT® safety helmet

Price RFI-3 BIOT® Standart \$ 1,19 € 1,08

Price RFI-3 BIOT® Zen® \$ 1,84 € 1,67

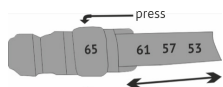
Price RFI-3 BIOT® Rapid \$ 2,82 € 2,56



Material	Headgear	Color	Mass
PP	Standart		382 g
PP	Zen®		382 g
PP	Rapid		382 g

Headgear

STANDART headgear with stepped head size adjustment from 52 to 65 cm, step 4 mm.



RAPID – headgear with rack-and-pinion mechanism with smooth head size adjustment from 51 to 65 cm by means of the knob rotation.



ZEN® headgear with locking button and stepped head size adjustment from 53.5 to 64.5 cm, step 3 mm.



Certified:



Quality management system is approved for conformity with ISO 9001:2015. The Certificate issued by TÜV SÜD № 12 100 35601 TMS, Germany



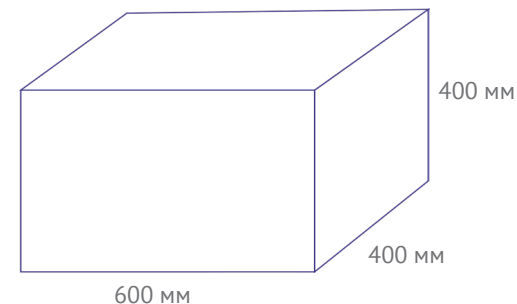
Retail packing

Polyethylene pack



1 unit

Carton box



gross

7,22

net

6,52

Quantity per box 20 units

Order Option

Min. amount

2 000

100 % prepayment

Shipment

Order to be placed
30 days before
shipping

Contacts

Name

Olga Fedorova

E-mail

p01398@rosomz.ru

Telephone

+79124860906



RFI-7 TITAN safety helmet

Price RFI-7 TITAN Standart \$ 1,19 € 1,08

Price RFI-7 TITAN Zen® \$ 1,84 € 1,67

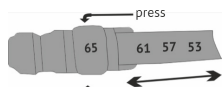
Price RFI-7 TITAN Rapid \$ 2,82 € 2,56



Material	Headgear	Color	Mass
PP	Standart	○ ● ● ● ● ● ● ●	360 g
PP	Zen®	○ ● ● ● ● ● ● ●	360 g
PP	Rapid	○ ● ● ● ● ● ● ●	360 g

Headgear

STANDART headgear with stepped head size adjustment from 52 to 65 cm, step 4 mm.



RAPID – headgear with rack-and-pinion mechanism with smooth head size adjustment from 51 to 65 cm by means of the knob rotation.



ZEN® headgear with locking button and stepped head size adjustment from 53.5 to 64.5 cm, step 3 mm.



Certified:



Quality management system is approved for conformity with ISO 9001:2015. The Certificate issued by TÜV SÜD № 12 100 35601 TMS, Germany



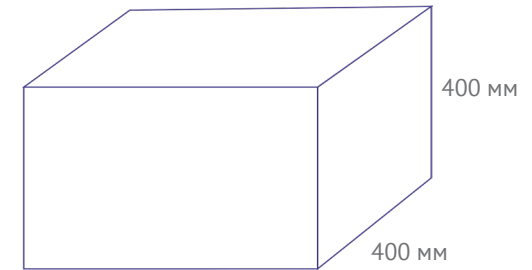
Retail packing

Polyethylene pack



1 unit

Carton box



600 mm

400 mm



gross

7,90

net

7,20

Quantity per box 20 units

Order Option

Min. amount
2 000

100 % prepayment

Shipment

Order to be placed
30 days before
shipping

Contacts

Name
E-mail
Telephone

Olga Fedorova
p01398@rosomz.ru
+79124860906



NN-10 Premier Favori®T welding helmet

Price NN-10 Premier Favori®T

\$ 2,75

€ 2,50



Replaceble
Welding Filter
Mineral glass

Material	Scale number	Headgear	Mass
PP	9-14	Rapid	394 g

Headgear

RAPID – headgear with rack-and-pinion mechanism with smooth head size adjustment from 51 to 65 cm by means of the knob rotation.



Certified:



Quality manadement system is approved for conformity with ISO 9001:2015. The Certificate issuede by TÜV SÜD № 12 100 35601 TMS, Germany



Retail packing

Polyethylene pack

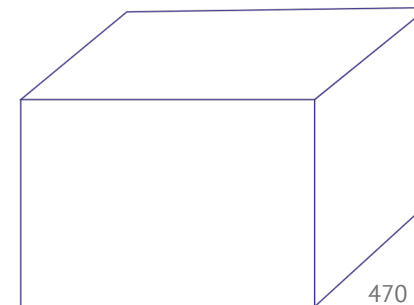


600 MM

300 MM

1 unit

Carton box



405 MM

470 MM

585 MM



kgs

gross

8,58

net

7,88

Quantity per box 20 units

Order Option

Min. amount

1 000

100 % prepayment

Shipment

Order to be placed
30 days before
shipping

Contacts

Name

Olga Fedorova

E-mail

p01398@rosomz.ru

Telephone

+79124860906



KBT VISION® TITAN

Protective face shield,
safety helmet mounted

Price KBT VISION® TITAN

\$ 4,39

€ 3,99



Material	Visor marking	Mass
PC	2C-1,2 RZ 1 AT 3	274 g

Lens marking:

2C-1,2	UV filter
RZ	Manufacturer identification
1	Optical class one
AT	Symbol of resistance to high speed particles (high energy impact - 14.9J V=190 m/s) at extremes of temperature (-5°C + 55°C)
3	Symbol of protection against droplets of liquids

Certified:



Quality management system is approved for conformity with ISO 9001:2015. The Certificate issued by TÜV SÜD № 12 100 35601 TMS, Germany



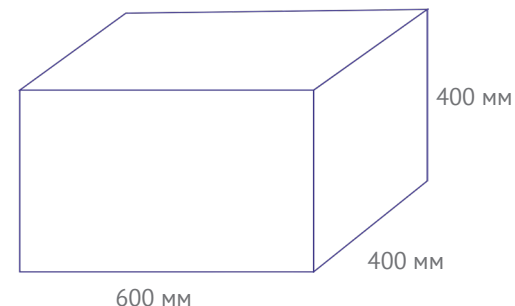
Retail packing

Polyethylene pack



1 unit

Carton box



gross

6,18

net

5,48

Quantity per box 20 units

Order Option

Min. amount

500

100 % prepayment

Shipment

Order to be placed
30 days before
shipping

Contacts

Name

Olga Fedorova

E-mail

p01398@rosomz.ru

Telephone

+79124860906



KBT VISION® TITAN

Protective face shield,
safety helmet mounted

Price KBT VISION® TITAN

\$ 17,34

€ 15,76



Material	Visor marking	Mass
PC	2C-1,2 RZ 1 AT 3 K N	282 g

Lens marking:

2C-1,2	UV filter
RZ	Manufacturer identification
1	Optical class one
AT	Symbol of resistance to high speed particles (high energy impact - 14.9J V=190 m/s) at extremes of temperature (-5°C + 55°C)
3	Symbol of protection against droplets of liquids
K	Symbol of resistance to surface damage by fine particles
N	Symbol of resistance to fogging

Certified:



Quality management system is approved for conformity with ISO 9001:2015. The Certificate issued by TÜV SÜD № 12 100 35601 TMS, Germany



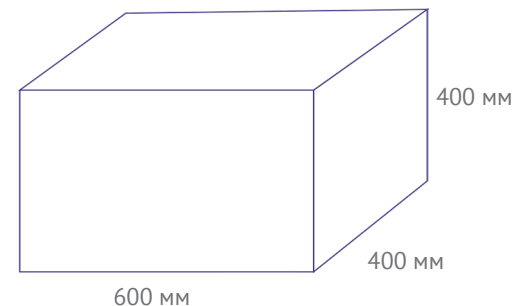
Retail packing

Polyethylene pack



1 unit

Carton box



kgs

gross

6,34

net

5,64

Quantity per box 20 units

Order Option

Min. amount

500

100 % prepayment

Shipment

Order to be placed
30 days before
shipping

Contacts

Name

Olga Fedorova

E-mail

p01398@rosomz.ru

Telephone

+79124860906



SOMZ-3 PUMA earmuffs

Price SOMZ-3 PUMA

\$ 1,63

€ 1,48



Material

ABS, polyacetal

SNR

27 dB

Mass

145 g

Options



Certified:



Quality management system is approved for conformity with ISO 9001:2015. The Certificate issued by TÜV SÜD № 12 100 35601 TMS, Germany



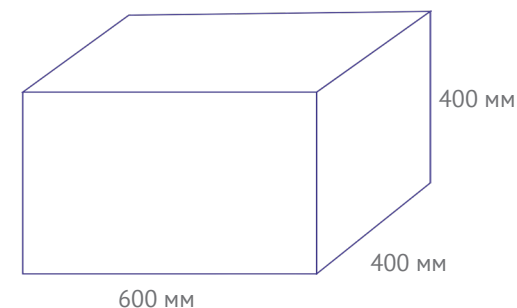
Retail packing

Polyethylene pack



1 unit

Carton box



kgs

gross

6,50

net

5,80

Quantity per box 40 units

Order Option

Min. amount

500

100 % prepayment

Shipment

Order to be placed
30 days before
shipping

Contacts

Name

Olga Fedorova

E-mail

p01398@rosomz.ru

Telephone

+79124860906



SOMZ-5 SHTURM earmuffs, helmet mounted

Price SOMZ-5 SHTURM

\$ 3,26

€ 2,96



Material

ABS, polyacetal

SNR

25 dB

Mass

150 g

Options



Certified:



Quality management system is approved for conformity with ISO 9001:2015. The Certificate issued by TÜV SÜD № 12 100 35601 TMS, Germany



Retail packing

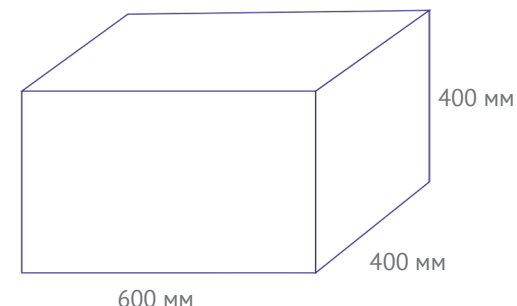
Carton box



100 mm

1 unit

Carton box



gross

9,70

net

9,00

Quantity per box 60 units

Order Option

Min. amount

500

100 % prepayment

Shipment

Order to be placed
30 days before
shipping

Contacts

Name

Olga Fedorova

E-mail

p01398@rosomz.ru

Telephone

+79124860906



SOMZ-65 STEEL LION earmuffs, helmet mounted

Price SOMZ-65 STEEL LION

\$ 6,50

€ 5,91



Material

ABS, polyacetal, steel

SNR

25 dB

Mass

150 g

Options



Certified:



Quality management system is approved for conformity with ISO 9001:2015. The Certificate issued by TÜV SÜD № 12 100 35601 TMS, Germany



Retail packing

Carton box

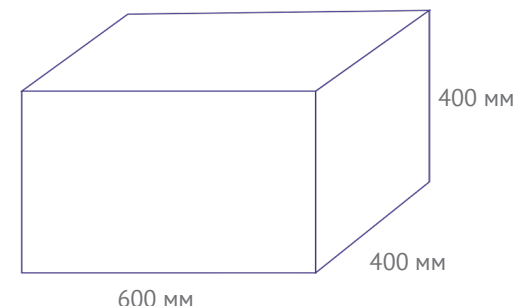


206 mm

100 mm

1 unit

Carton box



600 mm

400 mm

400 mm



gross

9,70

net

9,00

Quantity per box 60 units

Order Option

Min. amount

500

100 % prepayment

Shipment

Order to be placed
30 days before
shipping

Contacts

Name

Olga Fedorova

E-mail

p01398@rosomz.ru

Telephone

+79124860906

